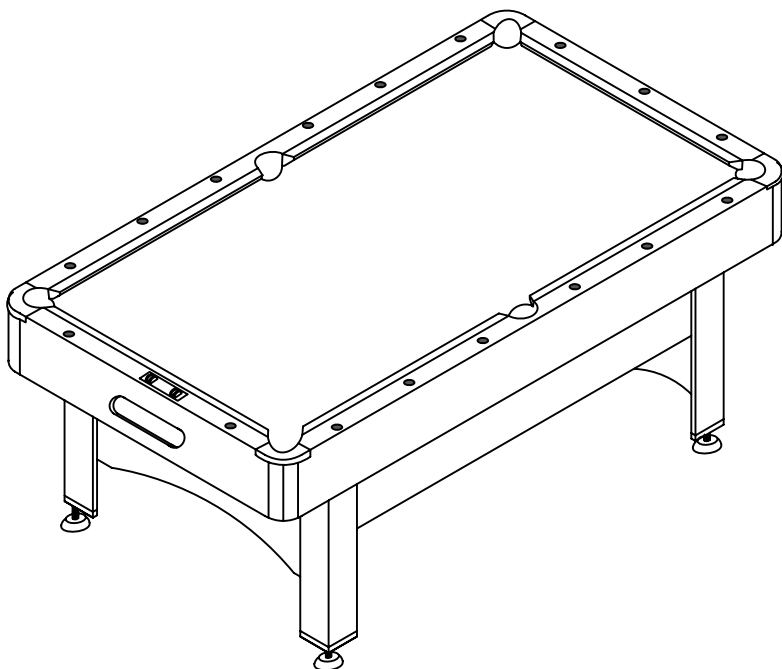
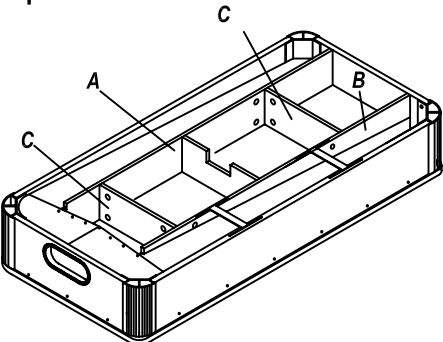

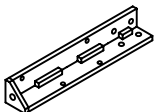
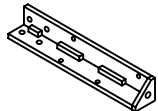
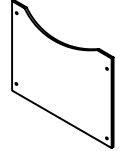
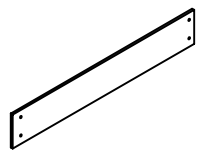
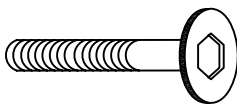
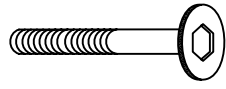
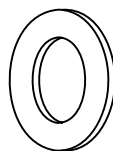
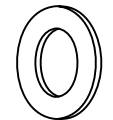
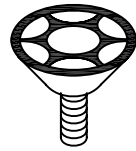


POOL TABLE

ASSEMBLY INSTRUCTIONS



PARTS IDENTIFIER

P1  MAIN ASSEMBLY 1set	A LONG RAIL, A 1pc	B LONG RAIL, B 1pc
	C SHORT RAIL ENDS W/HOLE 2pcs	A1  ALLEN KEY 1pc
P2  LEG A 2pcs	P3  LEG B 2pcs	P4  LEG END PANEL 2pcs
P5  LEG SIDE PANEL 2pcs	H1  5/16"x1-1/4" BOLT 16pcs	H2  1/4"x1" BOLT 16pcs
H3  5/16"BLACK FLAT WASHER 16pcs	H4  1/4"BLACK FLAT WASHER 16pcs	H5  LEG LEVELER 4pcs

ASSEMBLY INSTRUCTIONS

POOL TABLE ASSEMBLY

WARNING:TWO ADULTS NEEDED TO ASSEMBLE POOL TABLE

- Using bolts **H1** and washers **H3**. Attach leg **P2** & **P3** to long rail section **A** & **B** and short rail section **C**.
- Attach the side leg panels **P5** and end leg panels **P4** to the **INSIDE** surface of legs **P2** and **P3** using 1/4" bolts **H2**, and washers **H4**.
- Screw leg levelers **H5** into bottom of legs **P2** and **P3**.

