

ROTATING YOUR TABLE

WARNING: TWO ADULTS NEEDED TO ASSEMBLE POOL TABLE

The table should ONLY be rotated by two adults. Do not allow children to rotate the table. To rotate, loosen the 4 knobs (two on each leg assembly) until they are free of the table. Make sure there is no one in the way, slowly rotate the table. After rotating the table, carefully align the knobs with the holes in the braces on the game table and tighten the knobs. Do not over tighten the knobs.

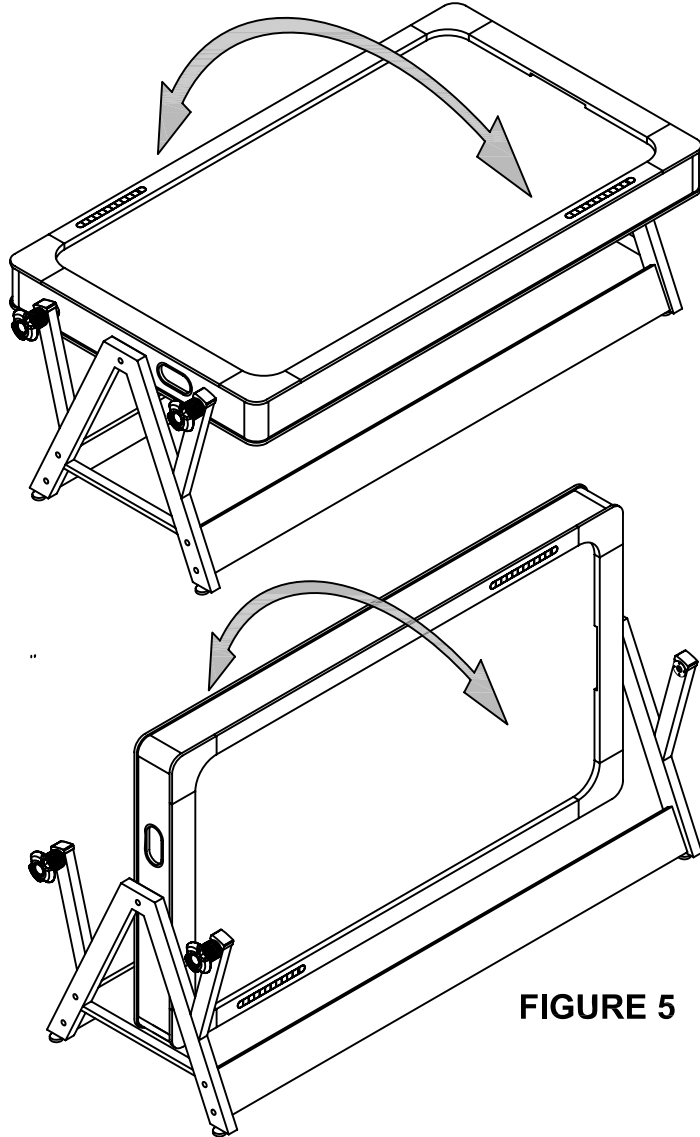
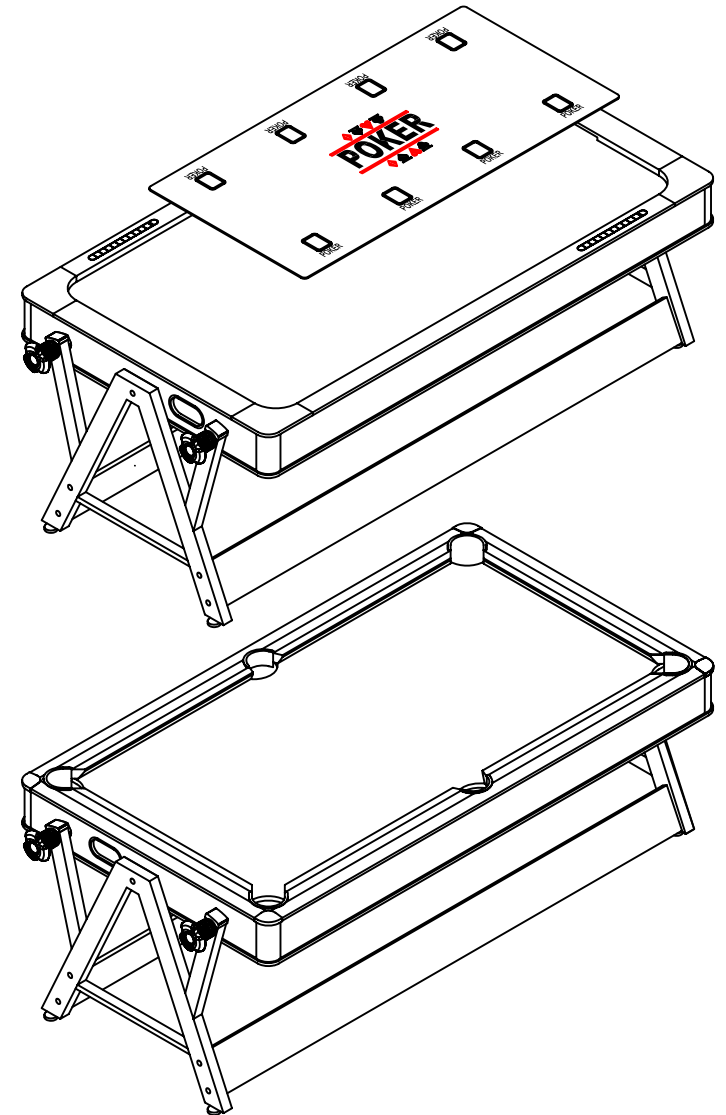


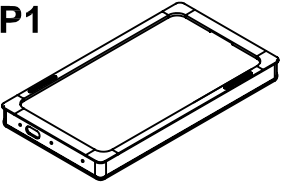
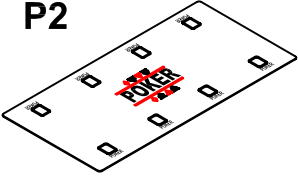
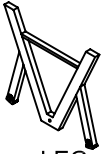

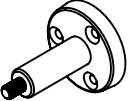
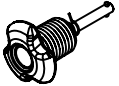
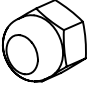







FIGURE 5

POOL TABLE

ASSEMBLY INSTRUCTIONS



PARTS IDENTIFER

<p>P1</p>  <p>POOL TABLE 1pc</p>	<p>P2</p>  <p>GAMBLE BOARD 1pc</p>	<p>P3</p>  <p>LEG 2pcs</p>
<p>P4</p>  <p>LEG PANEL 2pcs</p>	<p>H1</p>  <p>3/8" BOLTS 2pcs</p>	<p>H2</p>  <p>LOCK KNOBS 4PCS</p>
<p>H3</p>  <p>3/8" LOCKING NUT 2pcs</p>	<p>H4</p>  <p>Ø34xØ18 FLAT WASHER 2pcs</p>	<p>H5</p>  <p>Ø25xØ10 FLAT WASHER 2pcs</p>
<p>H6</p>  <p>5/16" FLAT WASHER 8pcs</p>	<p>H7</p>  <p>5/16"x2-7/8" BOLT 8pcs</p>	<p>H8</p>  <p>1" FLAT HEAD SCREW 6pcs</p>
<p>H9</p>  <p>LEG LEVELERS 4 pcs</p>	<p>H10</p>  <p>LOCK KNOBS COLLAR 4 pcs</p>	

ASSEMBLY INSTRUCTIONS

WARNING: TWO ADULTS NEEDED TO ASSEMBLE POOL TABLE

- Attach the leg panel **P4** at the bottom of the legs using bolts **H7** and washers **H6**. Start all bolts first by hand and then tighten all hardware.

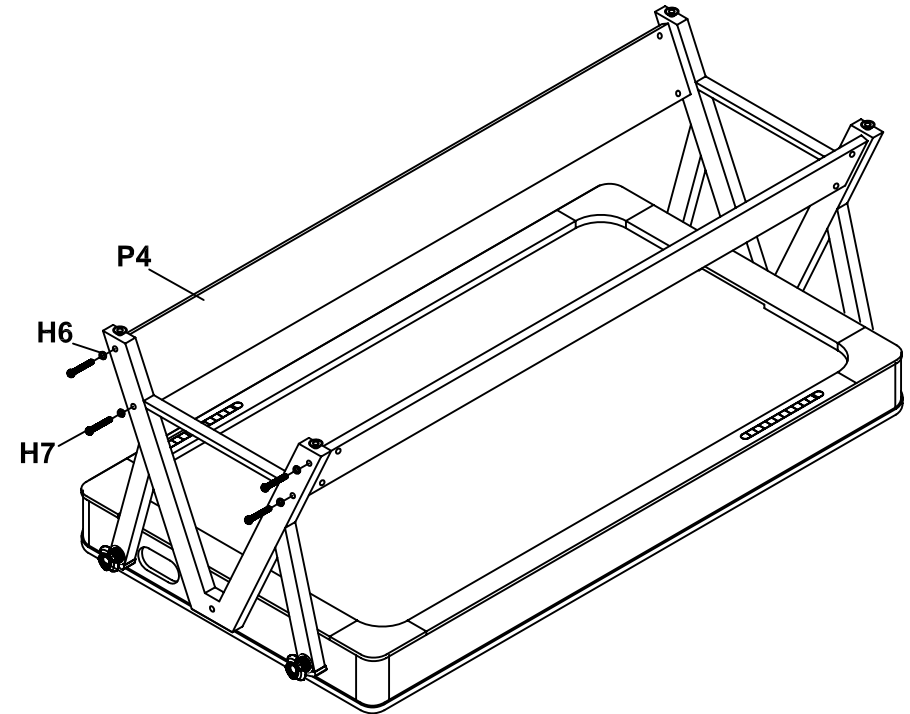


FIGURE 4

ASSEMBLY INSTRUCTIONS

WARNING: TWO ADULTS NEEDED TO ASSEMBLE POOL TABLE

4. Once in the correct position, Carefully attach one leg assembly **P3** to each end of table. Start with the center leg attachment. Place a washer **H4** onto the shoulder bolt. Next slide the leg assembly on the bolt and secure with washer **H5** and lock nut **H3**. This is a pivot point. Do not over tighten this nut. Next Secure the knob **H2** by threading them into the braces. Repeat this step for another side of the table..

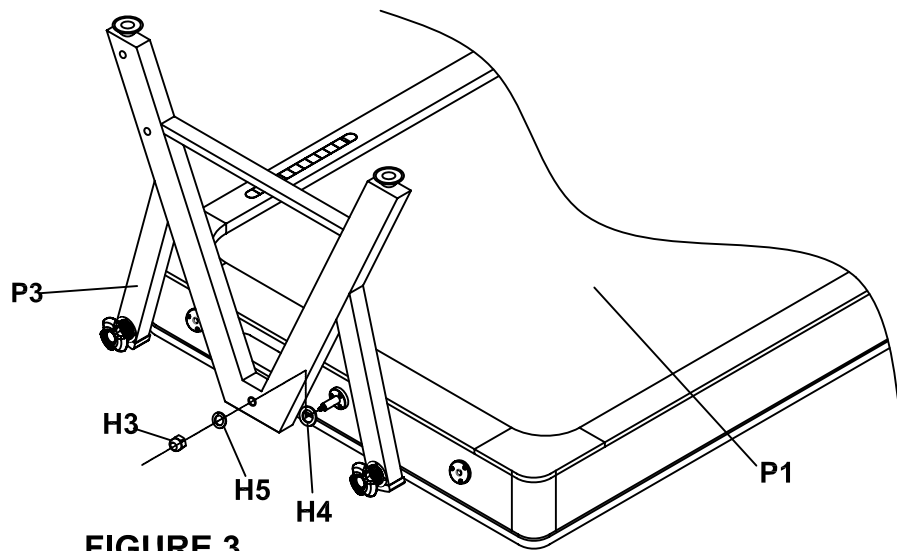
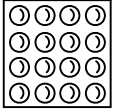
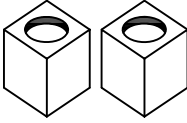
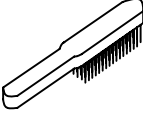
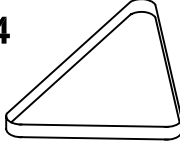
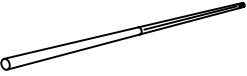
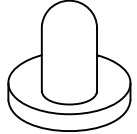

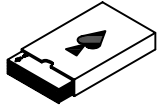

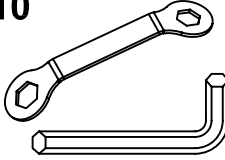


FIGURE 3

PARTS IDENTIFER

<p>A1</p>  <p>BILLIARD BALL 1set</p>	<p>A2</p>  <p>CHALK 2pcs</p>	<p>A3</p>  <p>BRUSH 1pc</p>
<p>A4</p>  <p>TRIANGLE 1pc</p>	<p>A5</p>  <p>CUE STICK 2pcs</p>	<p>A6</p>  <p>HOCKEY STRIKER 4 pcs</p>
<p>A7</p>  <p>HOCKEY PUCK 4pcs</p>	<p>A8</p>  <p>PLAY CARD 1 set</p>	<p>A9</p>  <p>12" ROTARY TABLE BOX 1 pc</p>
<p>A10</p>  <p>TOOL 2pcs</p>		

ASSEMBLY INSTRUCTIONS

WARNING: TWO ADULTS NEEDED TO ASSEMBLE POOL TABLE

1. Find a clean, level place to begin the assembly of your pool table. We recommend Building the table on the box top to protect the parts during assembly.
2. Attach the shoulder bolt **H1** to the end panel of the table using screws **H9** as shown in **FIGURE 1**.

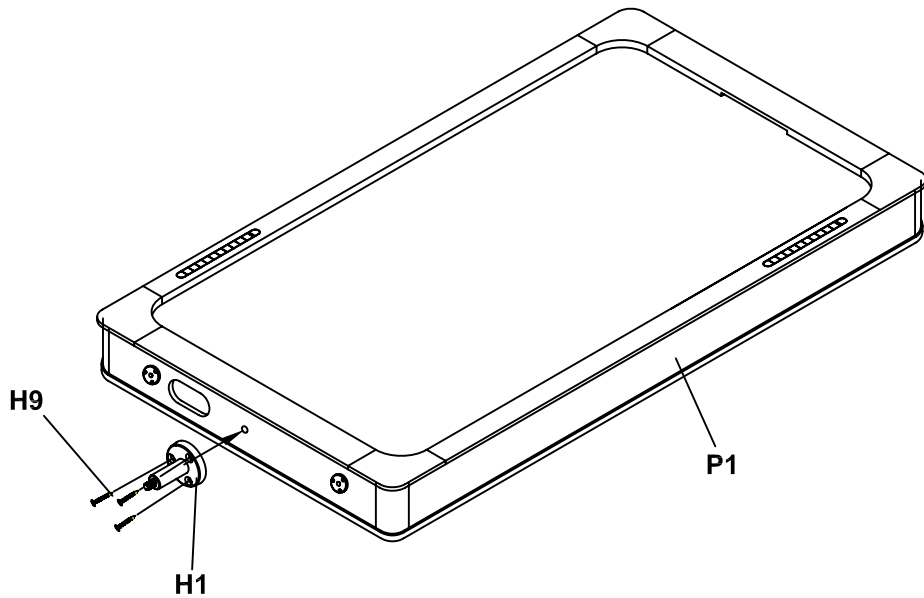


FIGURE 1

ASSEMBLY INSTRUCTIONS

WARNING: TWO ADULTS NEEDED TO ASSEMBLE POOL TABLE

3. Push the lock knobs **H2** through the holes in the leg assembly. Once the lock knob is through, attach one lock collar **H10** to each knob as shown; Attach the leg levelers **H9** to the leg assembly **P3** as shown in **FIGURE 2**.

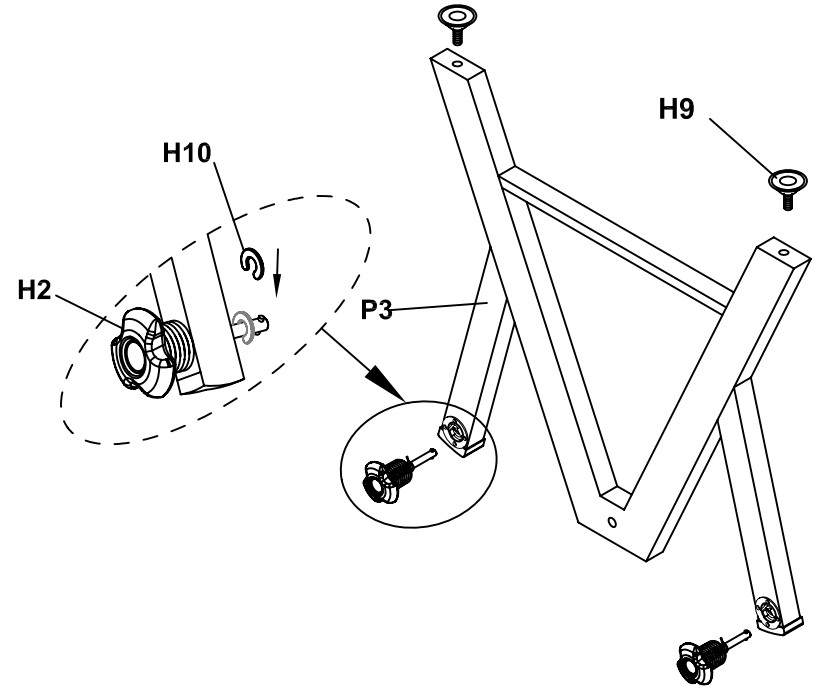


FIGURE 2