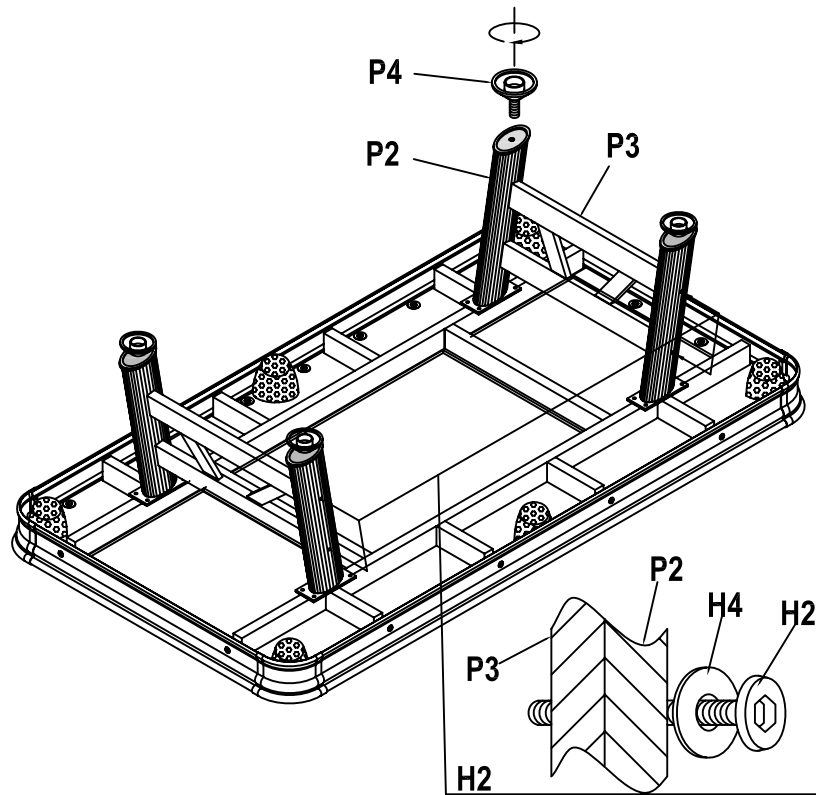


# ASSEMBLY INSTRUCTIONS

## POOL TABLE ASSEMBLY

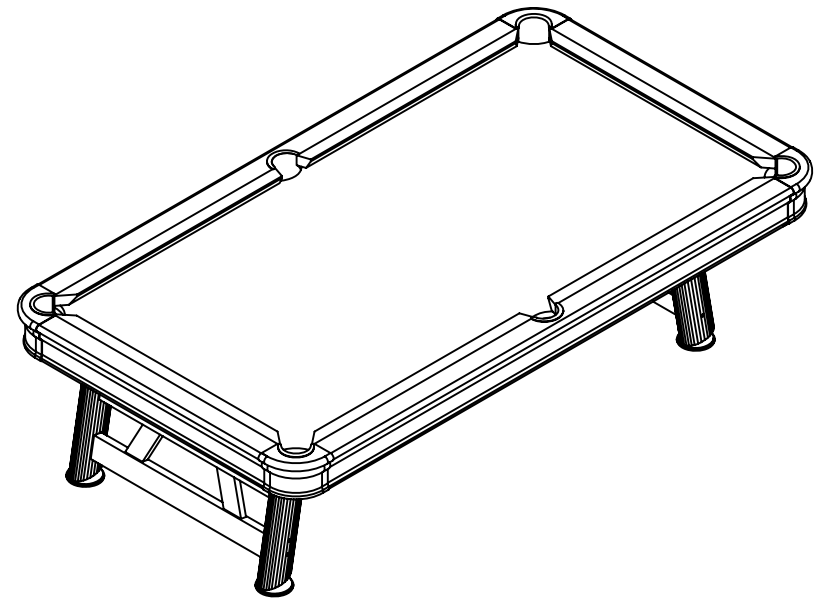
WARNING:TWO ADULTS NEEDED TO ASSEMBLE POOL TABLE

2. Attach the leg end panels P3 to the legs P2 using bolts H2 and washers H4.
3. Screw leg levelers P4 into the bottom of each legs P2.

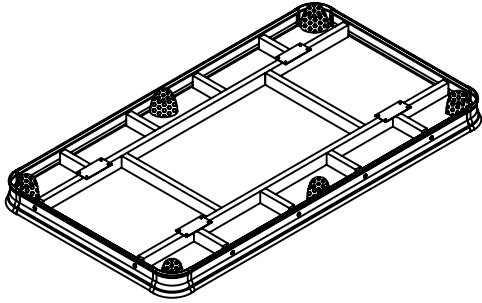


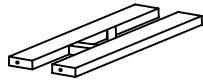
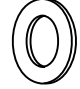
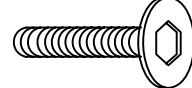
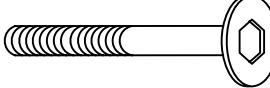
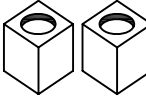
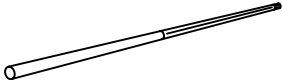
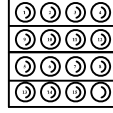




# OUTDOOR POOL TABLE

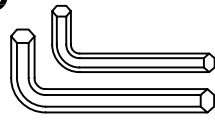
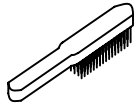

## ASSEMBLY INSTRUCTIONS



# PARTS IDENTIFIER

<p><b>P1</b></p>  <p>POOL TABLE 4pcs</p>	<p><b>P2</b></p>  <p>LEG 4pcs</p>	
<p><b>P4</b></p>  <p>LEG LEVELER 4pcs</p>		<p><b>P3</b></p>  <p>LEG END PANELS 2 pcs</p>
<p><b>H3</b></p>  <p>5/16"WASHER 16pcs</p>	<p><b>H1</b></p>  <p>5/16x5/8" BOLT 16pcs</p>	<p><b>H2</b></p>  <p>1/4x4" BOLT 8pcs</p>
<p><b>A2</b></p>  <p>CHALK 2pcs</p>	<p><b>A3</b></p>  <p>CUE STICK 2pcs</p>	<p><b>A1</b></p>  <p>BILLIARD BALL 1set</p>
<p><b>H4</b></p>  <p>1/4"WASHER 8pcs</p>		<p><b>A4</b></p>  <p>TRIANGLE 1pc</p>

# PARTS IDENTIFIER

<p><b>A5</b></p>  <p>TOOL 2pcs</p>	<p><b>A6</b></p>  <p>BRUSH 1pc</p>	<p><b>A7</b></p>  <p>TABLE COVER 1pc</p>
---	---	---

## ASSEMBLY INSTRUCTIONS

### POOL TABLE ASSEMBLY

**WARNING: TWO ADULTS NEEDED TO ASSEMBLE POOL TABLE**

1. Using bolts H1 and washers H3 attach leg P2 to the pool table P1.

