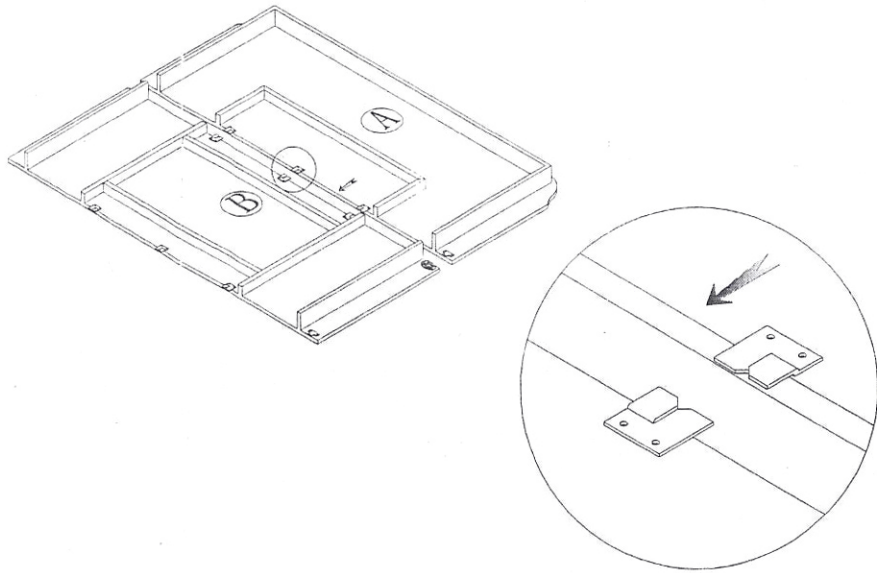
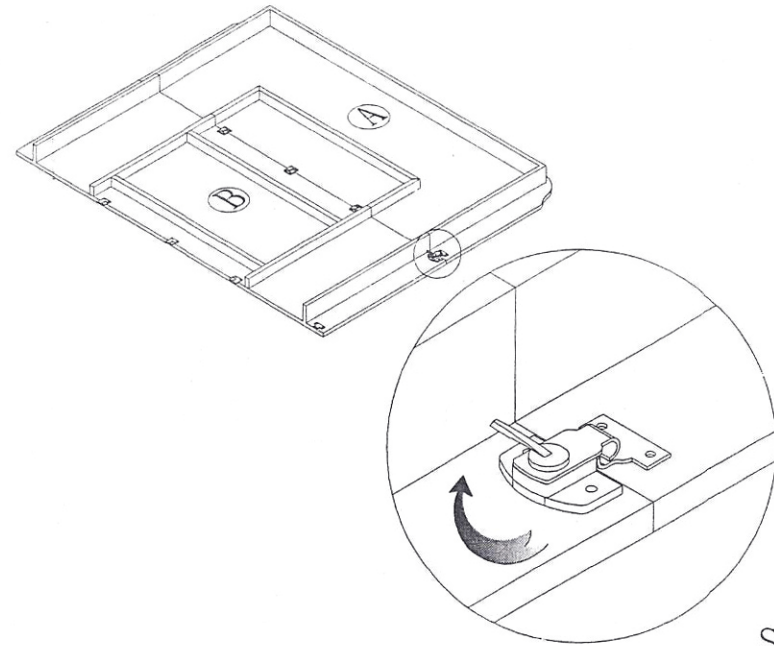


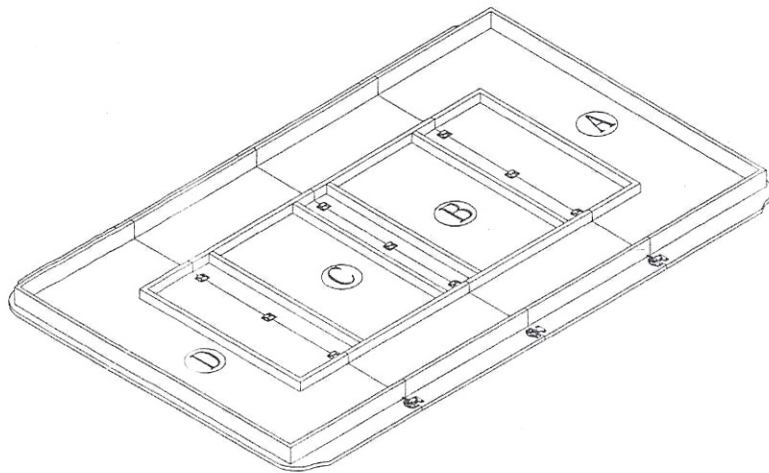
# ASSEMBLY INSTRUCTIONS



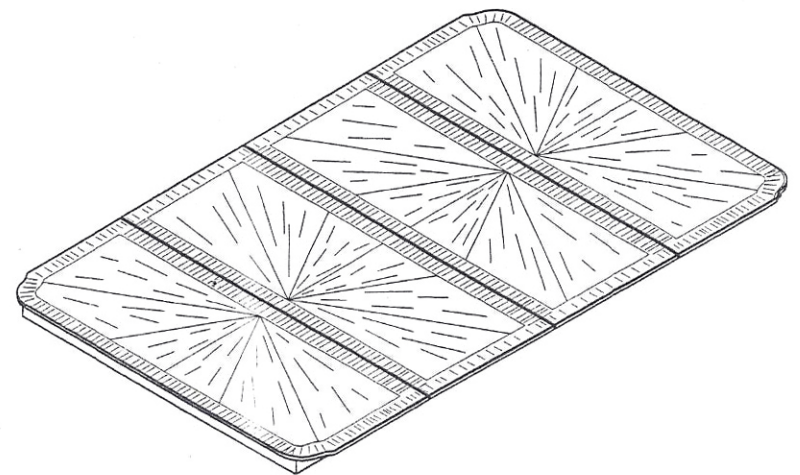
Step# 1



Step# 2



Step# 3



Step# 4